

HP

ELECTRIC MINI ATV

OWNER'S MANUAL

Important Information! Read thoroughly before driving the first time.

All information, images and specifications contained in this manual are based on the latest product information available at the time of publication. Due to improvements or production changes, there could be discrepancies in this manual. We reserve the right to make product changes at any time, without notice and without obligation to make the same or similar changes to any vehicle previously built or sold.



MINI ATV OWNER'S MANUAL

INTRODUCTION



Thank you for purchasing this mini ATV. The proper care and maintenance that your vehicle requires is outlined in this manual. Following the instruction will ensure a long trouble-free operating life of this vehicle and your satisfaction with it.

The owner's manual corresponded to the latest state of this vehicle at the time of printing. Slight deviations resulting from continuing development and design can, however, not be completely excluded. All specifications are non-binding, we reserve the right to modify or delete technical specification, parts, design, etc... without prior notice.

SAFETY WARNINGS

This vehicle is NOT A TOY and ONLY used in closed off areas remote from public road traffic.

Never permit children under age 12 to operate this ATV.

Adult's supervision is required if children under age 16.

WARNING: Riding an electric mini quad can be a hazardous activity. Certain conditions may cause the equipment to fail without fault of the manufacturer. Like other electric vehicles, the Mini Quad can and is intended to move, and it is therefore possible to lose control, fall off and/or get into dangerous situations that no amount of care, instruction or expertise can eliminate. If such things occur you can be seriously injured or die, even when using safety equipment and other precautions. **RIDE AT YOUR OWN RISK AND USE COMMON SENSE.**

This manual contains many warnings and cautions concerning the consequences of failing to maintain, inspect or properly use your mini ATV. Because any incident can result in serious injury or even death, we do not repeat the warning of possible serious injury or death each time such a possibility is mentioned.

APPROPRIATE RIDER USE AND PARENTAL SUPERVISION

This manual contains important safety information and use tips to help you and your child

MINI ATV OWNER'S MANUAL

operate and handle the mini ATV. Carefully read the manual in its entirety together with your child before letting your child ride it for first time. The manual also contains important information on servicing the vehicle.

It is your responsibility to review the manual and make sure that all riders understand all warnings, cautions, instructions and safety topics and assure that the riders are able to safely and responsibly use this product and protect your child from injury. We recommend that you periodically review and reinforce the information in this manual with your child, and that you inspect and maintain your children's vehicle to insure their safety. **The recommended rider age of 12 years** is only an estimate, and can be affected by the rider's size, weight or skills. Any rider unable to fit comfortably on the mini ATV should not attempt to ride it.

It is important and necessary to conduct the technical training for your child before first use. To get the train information, please contact the dealer who you purchase the vehicle from. Before your child complete the training, do not let your child use this vehicle.

Children often underestimate or fail to recognize the dangerous situation, you should make it clear to your child that should not, under any circumstances, operate the vehicle without supervision and that your child may only drive at speed that are commensurate with the child's riding ability and other road condition.

A parent's decision to allow his or her child to ride this product should be based on the child's maturity, skill and ability to follow rules.

Keep this product away from small children younger than age 12 and remember that this product is intended for use only by persons who are, at a minimum, completely comfortable and competent while operating the vehicle.

DO NOT EXCEED THE WEIGHT LIMIT OF 70KG. Rider weight does not necessarily mean a person's size is appropriate to fit or maintain control of the mini ATV

Do not touch the brakes or electric motor on your mini ATV when in use as they can become very hot.

Refer to the following section on safety for additional warnings.

ACCEPTABLE RIDING PRACTICES AND CONDITIONS

Always check and obey any local laws or regulations which may affect the locations where the Mini ATV may be used.

Ride defensively. Watch out for potential obstacles that could catch your wheel or force you to swerve suddenly or lose control. Be careful to avoid pedestrians, skaters, skateboards, scooters, bikes, children or animals who may enter your path, and respect the rights and property of others.

The mini ATV is meant to be used on private property and on closed courses and not on public streets or sidewalks. Do not ride your mini ATV in any areas where pedestrian or vehicle traffic is present.

Do not activate the speed control on the hand grip unless you are on the MINI ATV and in a safe, outdoor environment suitable for riding.

This product was manufactured for performance and durability but was not impervious to damage. Jumping or other aggressive riding can over-stress and damage any product, including the Mini ATV, and the rider assumes all risks associated with high-stress activity.

Be careful and know your limitations. Injury risks increases when the degree of riding difficulty increases. The rider assumes all risk associated with aggressive riding activities.

Never carry passengers or allow more than one person at a time to ride the electric mini quad.

Never use near steps or swimming pools.

Never use alcohol or drugs before or while operating

MINI ATV OWNER'S MANUAL

Keep your fingers and other body parts away from the drive chain, steering system, wheels and all other moving components.

Never use headphones or a cell phone when riding.

Never hitch a ride with another vehicle.

Do not ride the min quad in wet or icy weather and never immerse the electric mini quad in water, as the electrical and drive components could be damaged by water or create other possibly unsafe conditions.

Wet, slick, bumpy, uneven or rough surfaces may increase risks of use. Do not drive the electric quad in mud, ice, puddles or water. Avoid excessive speeds that can be associated with downhill rides. Never risk damaging surfaces such as carpet or flooring by use of an electric four wheeler indoors.

Do not ride at night or when visibility is limited.

PROPER RIDING ATTIRE

Always wear proper protective equipment such as an approved safety helmet, elbow pads and kneepads. A helmet may be legally required by local law or regulation in your area.

A long-sleeved shirt, long pants and gloves are recommended. Always wear athletic shoes, never drive barefooted or in sandals, and keep shoelaces tied and out of the way of the wheels, motor and drive system.

USING THE CHARGER (The charger is not a toy!)

The charger supplied with the electric mini quad should be regularly examined for damage to the cord, plug, enclosure and other parts, and in the event of such damage, the quad must not be charged until the charger has been repaired or replaced. Always disconnect from the charger prior to wiping down and cleaning your electric mini quad with liquid.

FAILURE TO USE COMMON SENSE AND HEED THE ABOVE WARNINGS INCREASES THE RISK OF SERIOUS INJURY. USE WITH APPROPRIATE CAUTION AND SERIOUS ATTENTION TO SAFE OPERATION.

BEFORE YOU BEGIN

Remove contents from box. Remove the foam separators that protect the components from damage during shipping. Inspect the contents of the box for scratches in the paint, dents or kinked cables that may occur during shipping. Because the product was 85 percent assembled and packed at the factory, there should not be any problems, even if the box has a few scars or dents.

Estimated Assembly and Set-Up Time

We recommend assembly by an adult with experience in motorbike or bicycle mechanics. Allow up to 30-40 minutes for assembly, not including initial charge time. Allow up to 12 hours for initial charge.

Required Tools

Some tools may be supplied; however, we recommend the use of mechanic's grade tools. Use the supplied tools only as a last resort.

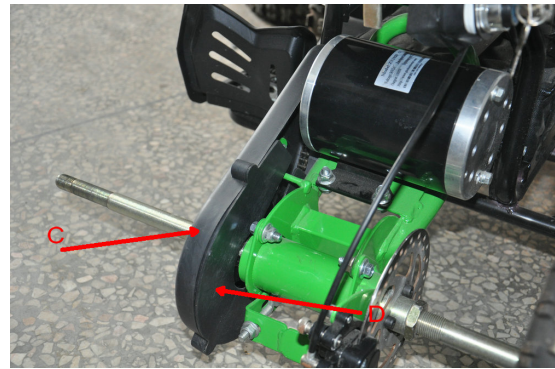
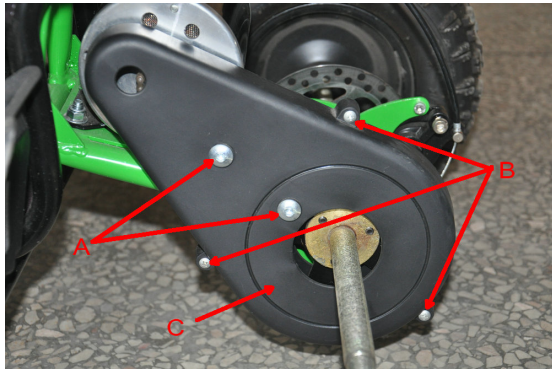
The list of tool required is as follows

- Open end wrench 10mm / 13mm/ 17mm / 22mm
- Allen wrench 5mm / 6mm/ 8mm
- Bicycle style tire pump with pressure gauge

Assembly illustration and instruction

MINI ATV OWNER'S MANUAL

Attaching the Chain Cover

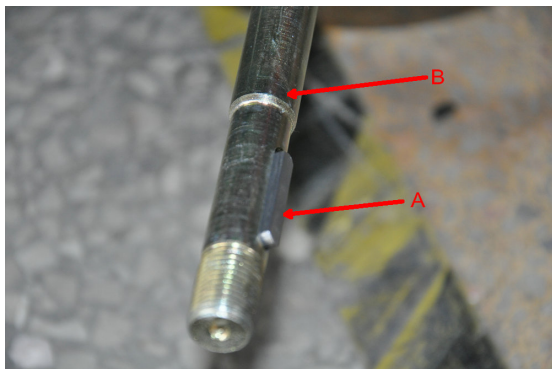


- A. Hex socket cap bolt M6*10 2PCS
- C. Left side chain cover

- B. Philip's head screw M4*12 3PCS
- D. Right side chain cover

1. Place part C on ATV and fasten A by a 6mm key wrench.
2. Align part D to part C and tighten B by a screwdriver.

Attaching the Rear Wheels (tire 13*5-6)

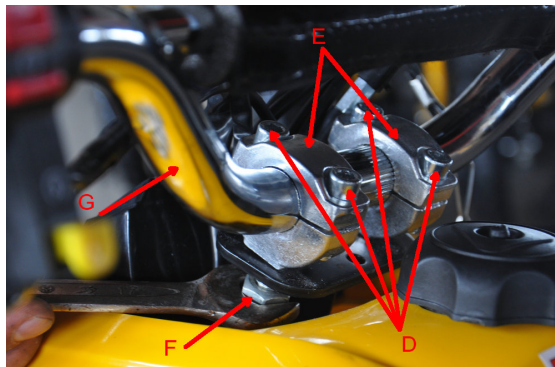
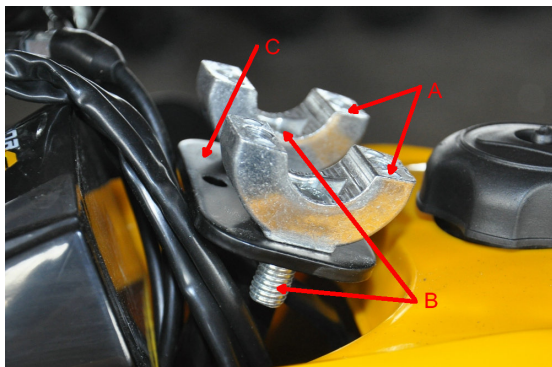


- A. Pin
- C. Rear wheel locknut

- B. Rear axle
- D. Rear wheel

1. Place pin A on rear axle B.
2. Place rear wheel D on rear axle B.
3. Tighten C by a wrench.

Attaching the handle bar



- A. Handlebar down clamp 2PCS

- B. Flange bolt M10*20 2PCS

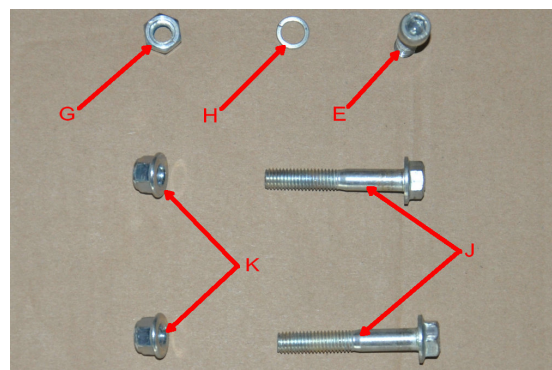
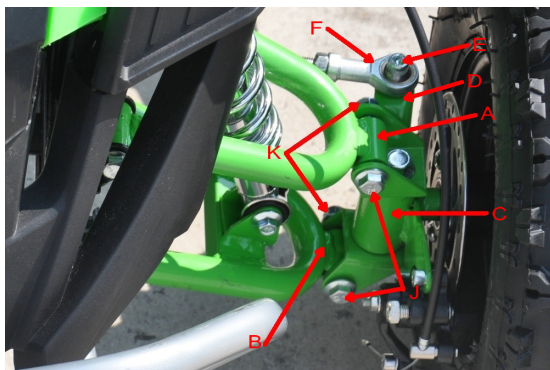
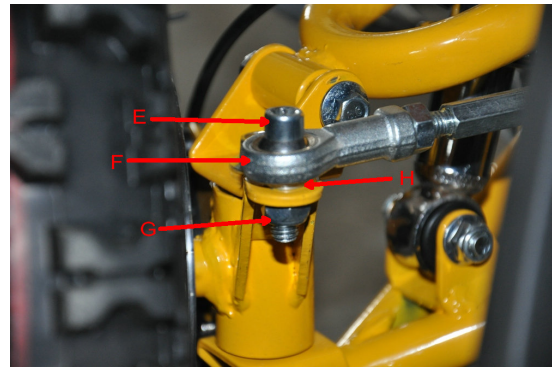
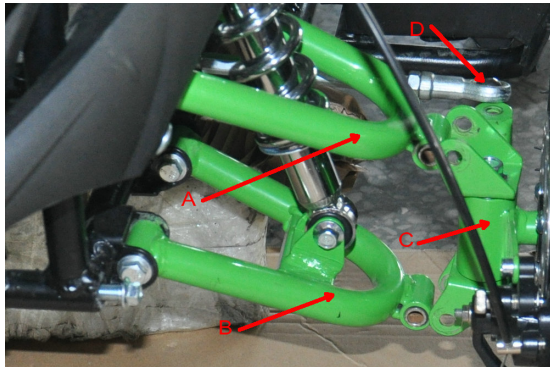
MINI ATV OWNER'S MANUAL

- C. Steering rod
- E. Handlebar up clamp 2PCS
- G. Handle bar
- D. Hex socket cap bolt M8*20 4PCS
- F. Lock nut M10 2PCS

1. Place parts A on C.
2. Place B through parts A & C and then tighten F by a wrench.
3. Place part G on part s A. Align E to parts A and tighten D by an 8mm key wrench.

NOTE: When properly tightened, the handlebar should not move forward or back.

Attaching the front wheels (tire 4.10-6)

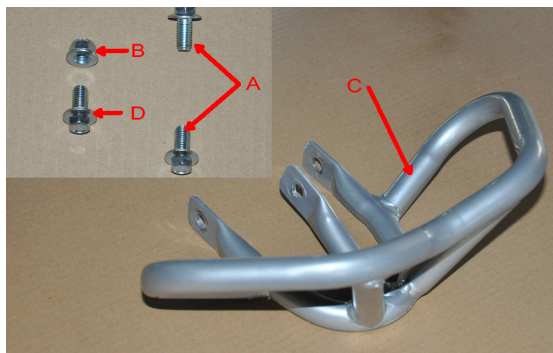


- A. Up swing arm
- B. Down swing arm
- C. Wheel spindle
- E. Hex socket cap bolt M8*25
- G. Lock nut M8
- J. Flange bolt M8*45 2PCS
- D. Tie rod holder
- F. Tie rod end
- H. Spacer M8
- K. Self lock nut M8 2PCS

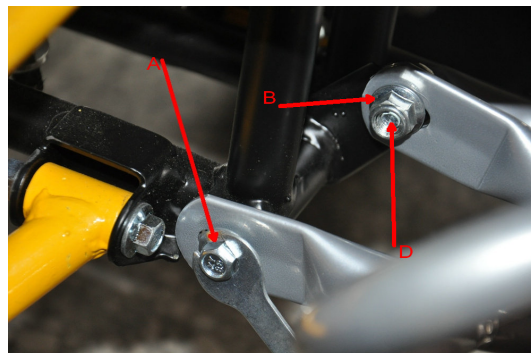
1. Align C to A & B.
2. Place bolts J through A & C, B & C. Tighten nuts K by wrenches.
3. Place bolt E through F, H, E in sequence and tighten nut H.

Attaching front Bumper

MINI ATV OWNER'S MANUAL



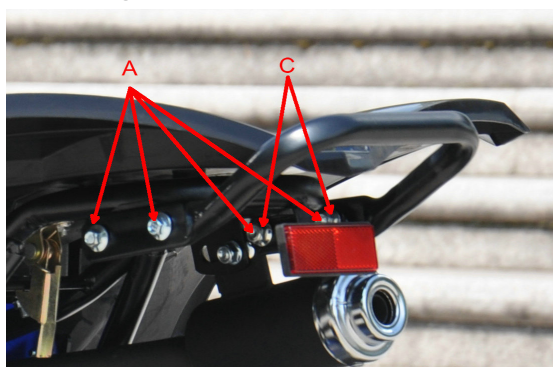
- A. Flange bolt M8*16 2PCS
- C. Front bumper



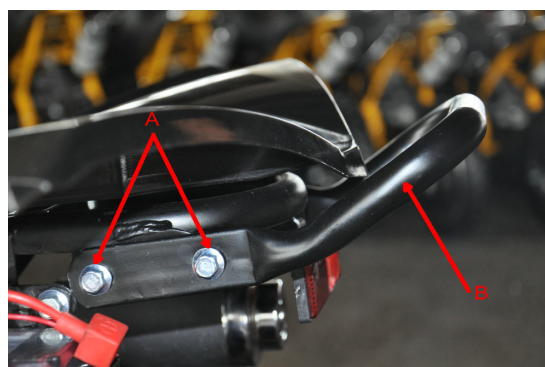
- B. Lock nut M8
- D. Flange bolt M8*16

1. Align C to ATV frame
2. Tighten bolts A by wrench.
3. Tighten B,D by wenches.

Attaching rear Bumper



- A. Flange bolt M8*16 4PCS
- B. Lock nut M8



- B. Rear bumper

1. Align B to ATV frame.
2. Tighten A,C by wenches.

TECHNICAL SPECIFICATION SHEET

Motor type	500W 36V
(OPTIONAL 1)	800W 36V
(OPTIONAL 2)	1000W 36V
Rated torque (500W) N.m/ rpm	1.9
Rated torque (800W) N.m/ rpm	2.8
Rated torque (1000W) N.m/ rpm	3.5
	3 x 12V 12A lead acid battery for 500W / 800W motor
	3 x 12V 14A lead acid battery for 1000W motor
Charger	100-240V/50-60 Hz/1.5A

MINI ATV OWNER'S MANUAL

Non-load input current	≤115Ma
Maximum motor current controller output	30A±1.5A
Undervoltage protection value	20.5A±0.5A
Charge output current	1.5 A
Transmission	Chain drive
Front suspension	double mechanical damper
Rear suspension	mono shock absorber
Tyre(optional 6 “)	front 4.10-6 with 7.00 P.s.i. operation pressure and 20 P.s.i. Max. inflate , rear 13.00 x 5-6 with 7.00 P.s.i. operation pressure and 20 P.s.i Max. inflate .
Brake system	front and rear disc brake with mechanical control
Rated loading capacity	70KG
Max. speed	22KM/hour

FUNCTION SWITCH OF 3 SPEED LEVEL ADJUSTABLE



The 3-speed limit key is located under the right side of seat (see above pictures).

There are 3 letter standing for the different speed as follows (500W36V),

1 (or M): middle speed around 13KMph.

0 (or L): lowest speed around 7KMph.

2 (or H): top speed around 20KMph.

SAFETY REMINDERS

PRE-RIDE CHECKLIST

Loose Parts

Check and secure all fasteners before every ride. Make sure steering stem clamp bolts are locked properly in place. There should not be any unusual rattles or sounds from loose parts or broken components. If you are not sure, ask an experienced mechanic to check.

Brake

Check the brake for proper function. When you squeeze the lever, the brake should provide positive braking action. When you apply the brake with the speed control on, the brake cut-off switch will stop the motor.

Frame, Fork and Handlebars

Check for cracks or broken connections. Although broken frames are rare, it is possible for an

MINI ATV OWNER'S MANUAL

aggressive driver to bash into a curb or wall and wreck and bend or break a frame. Get in the habit of inspecting yours regularly.

☐ Tire Inflation

Periodically inspect the tires for excess wear, and regularly check the tire pressure and re-inflate as necessary. If you get a flat tire, the inner tube can be patched or a new tube can be purchased from Razor or an authorized repair center.

☐ Safety Gear

Always wear proper protective equipment such as an approved safety helmet, elbow pads and kneepads. Always wear shoes (lace-up shoes with rubber soles), never drive barefooted or in sandals, and keep shoelaces tied and out of the way of the wheels, motor and drive system

Charging the Battery

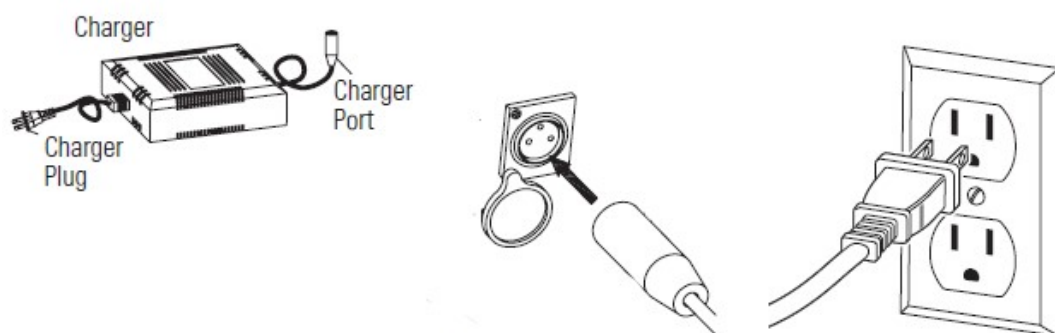
Your electric mini quad may not have a fully charged battery; therefore it is a good idea to charge the battery prior to use.

- Initial charge time: 12 hours
- Run time: up to 45minutes
- Average battery life: 250 charge/discharge cycles
- Recharge time: *Always* remember to turn the power switch off and recharge for at least 9 hours after each use. When vehicle is not in regular use, recharge battery at least once a month until normal use is resumed. If you have left the power switch on or your product has not been charged for a long period of time the battery may reach a stage at which it will no longer hold a charge.

WARNING: Always disconnect your electric mini quad from the charger before cleaning with liquid.

The charger has a small window with two LEDs to indicate the charge status. Red LED means the battery is in charging and Green LED means the battery is full charged. Chargers have built-in over-charge protection to prevent battery from being over-charged.

Be sure to properly align the groove on the charger input port with the corresponding socket on the Mini Quad and tighten threads; otherwise, no charging action will occur.



1 Turn **OFF** power switch before charging. Plug charger into the charger port on the electric motor bike.

2 Plug the charger plug into a wall outlet. If the lights on the charger do not light up, check the power to the outlet. If necessary, try a different outlet.

Warning: Failure to recharge the battery at least once a month may result in a battery that will no longer hold a charge.

Inflating the Tires

MINI ATV OWNER'S MANUAL



NOTE:

Please read the specification sheet to get the information of tire pressure.

Using a bicycle-style tire pump to inflate the tires to the PSI indicated on the sidewall of the tire.

Note: The pressurized air supplies found at gasoline stations are designed to inflate high-volume automobile tires. If you decide to use such an air supply to inflate your tires, first make sure the pressure gauge is working, then use very short bursts to inflate to the correct PSI. If you inadvertently over-inflate the tires, release the excess pressure immediately.

Important information of use guider for tire

Note: Tire is the only contact between the vehicle and the road, the safety of various driving activity depends on the small area of tire where contact with the road. Therefore, it is very important to keep the tire in good condition any time and use the correct size and standard tire to replace the old ones.

Guide:

Tire assembly and disassembly

It is strongly recommended that the tire assembly and disassembly should be done by an authorized technician with necessary skills.

Tire inflating pressure

It is very important to keep the tire in proper pressure and check the tire pressure before use. The inflating should be done while the tire is cold.

Tire maintenance

Tire tread depth should be checked regularly. (Shallower tread means less grip of tire). You must stop to use the vehicle if the tire is pierced, disassemble the tire and check it carefully. Tire maintenance should be done by an authorized technician. Tire should be replaced immediately when it is distorted or damaged.

Tire replacement

It is important to use the correct size and standard tire as per our specification (see details in technical specification sheet)

Don't use the used tire if you are not sure its previous service condition.

Tire aging

Tire aging is unavoidable even the tire is not ever used or just used a few times. Tire aging is mainly reflected in the cracked section on side of tire and tire tread, sometimes the tire is distorted as well. The used and aged tire should be checked and confirmed if it is ok to use again by an authorized technician

REPAIR AND MAINTENANCE

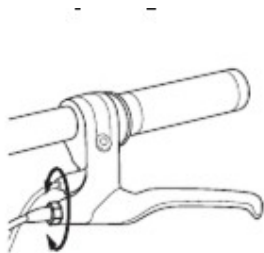
Turn power switch off before conducting any maintenance procedures.

□ Adjusting the Brake

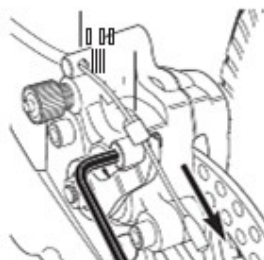
The mini quad is with 2 front brake and 1 rear brake.

MINI ATV OWNER'S MANUAL

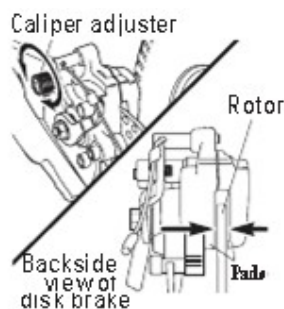
WARNING: The brake is capable of causing the electric mini quad to skid the tire throwing an unsuspecting rider. Practice in an open area free from obstacles until you are familiar with the brake function. Avoid skidding to a stop as this can cause you to lose control or damage the rear tire.



1 To adjust the play, thread the brake lever adjuster in or out 1/4 to 1/2 turn until the desired brake adjustment is attained. Most adjustments are complete at this step. If brake still needs further adjustment, proceed to step 2 for rear brake.



2 Locate the rear brake caliper and disk brake behind the right rear wheel. The distance of the brake wire between the end of the cable and the anchor bolt should be between 37 and 44 mm. If the rear brake has too much slack, loosen the rear anchor bolt with a hexagonal wrench and pull the brake wire tighter (direction indicated with arrow).

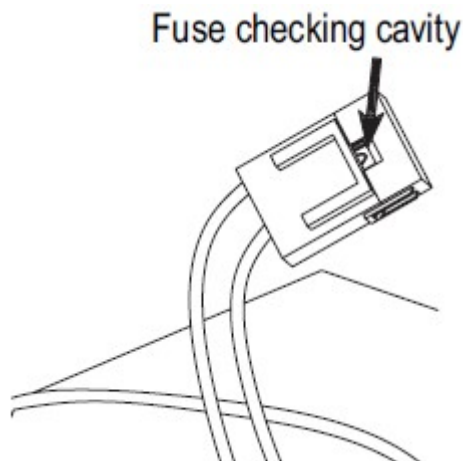


3 If the brake rotor is dragging on the brake pads use your fingers to twist the caliper adjuster in either direction until rotor is centered between pads.

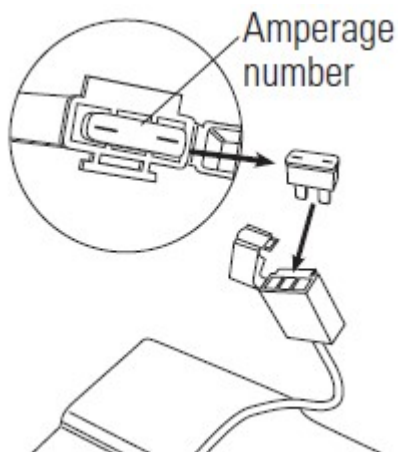
REPAIR AND MAINTENANCE

□ Replacing the Fuse

1. Open the battery bag to locate the fuse box attached to the batteries.



2. Check the fuse to see if it has burnt out. If the fuse is damaged, open the fuse cover.



3. Remove any fuse that is damaged or burnt out and replace with a new one of equal amperage.

Note: Amperage is located on top of fuse.

REPAIR AND MAINTENANCE

Chain and Sprocket

The chain will typically have a “loose spot” and “tight spot” corresponding with a particular sprocket rotational position. This is normal and common to all chain-driven vehicles due to run-out tolerances of the free wheel and sprocket. Proper chain alignment must be maintained. If the chain is noisy or rough running, check the lubrication, tension and alignment of the sprockets, in that order. The tensioner arms must be aligned and free from binding and the tensioner spring(s) must be operating correctly.

Battery Care and Disposal

Do not store the battery in temperatures above 75° F or below -10° F.



CONTAINS SEALED LEAD BATTERY. BATTERY MUST BE RECYCLED.

Disposal: Your product uses sealed lead-acid batteries which must be recycled or disposed of in an environmentally sound manner. Do not dispose of a lead-acid battery in fire. The battery may explode or leak. Do not dispose of a lead-acid battery in your regular household trash. The incineration, land filling or mixing of sealed lead-acid batteries with household trash is prohibited by law in most areas. Return exhausted batteries to a federal or state approved lead-acid battery recycler or a local seller of automotive batteries.

Charger

The transformer/charger supplied with the product should be regularly examined for damage to the cord, plug, enclosure and other parts, and, in the event of such damage, the Mini Quad must not be charged until it has been repaired or replaced.

Use ONLY with the recommended charger.

WARNING: To avoid a pinch or injury, keep fingers away from moving sprockets and chain.

WARNING: If a battery leak develops, avoid contact with the leaking acid and place the damaged battery in a plastic bag. Refer to the disposal instructions as above. If acid comes into contact with skin or eyes, flush with cool water for at least 15 minutes and contact a physician.

MINI ATV OWNER'S MANUAL

TROUBLESHOOTING GUIDE

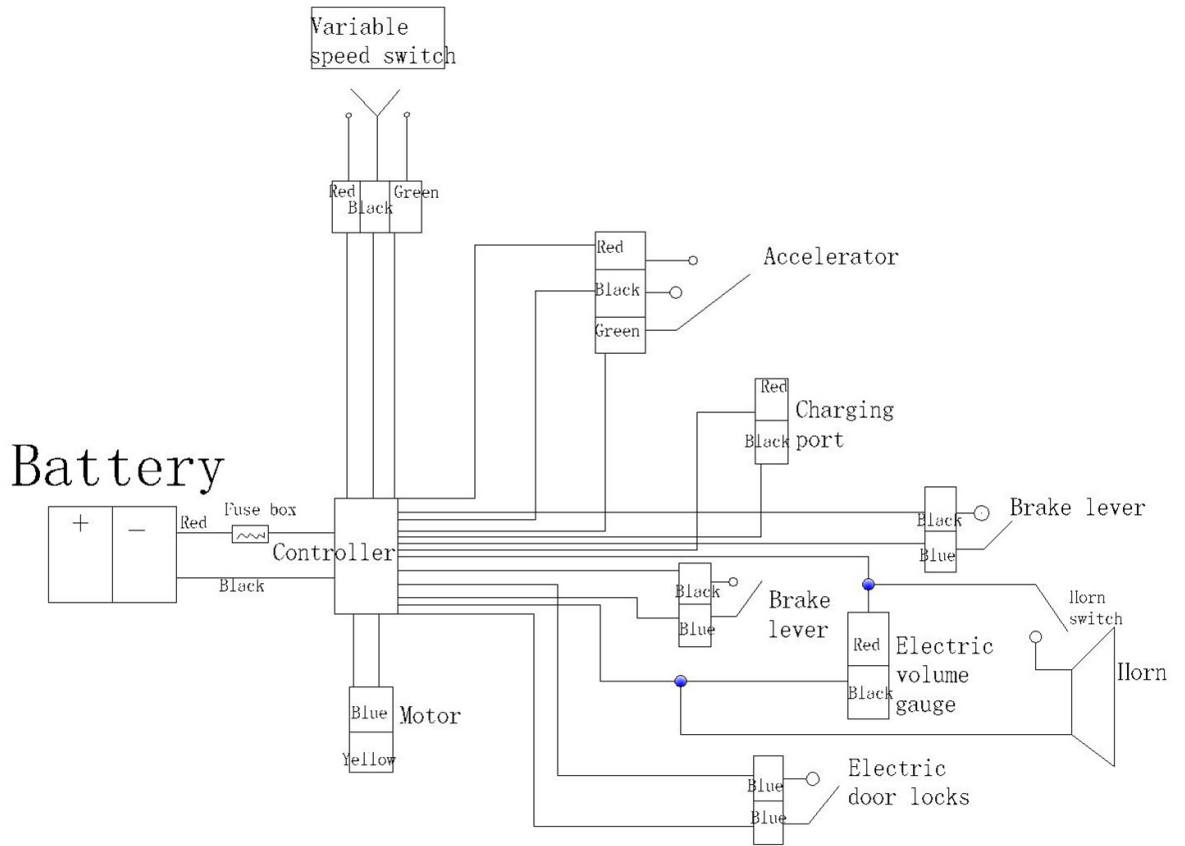
Problem	Possible cause	Solution
Vehicle does not run.	Undercharged battery .	Charge the battery. A new battery should have been charged for at least 12 hours before using the vehicle for the first time and up to 8 hours after each subsequent use. Check all connectors. Make sure the charger connector is tightly plugged into the charging port, and that the charger is plugged into the wall. Make sure power flow to wall outlet is on.
	Charger is not working.	You may check to see if your charger is working by using a volt meter or asking the authorized service center to test your charger for you.
Vehicle was running but suddenly stopped.	Loose wires or connectors.	Check all wires and connectors to make sure they are tight
	Burned-out fuse.	The fuse will burn out and automatically shut off the power if the motor is overloaded. An excessive overload could cause the motor to overheat. Refer to replacing the fuse instructions of this manual. Correct the conditions that caused the fuse to burn out and avoid repeatedly burning out fuse.
	Motor or electrical switch damage.	Contact the authorized service center for diagnosis and repair.
Short run time (less than 30 minutes per charge)	Undercharged battery.	Charge the battery. A new battery should have been charged for at least 12 hours before using the vehicle for the first time and up to 8 hours after each subsequent use. Check all wires and connectors. Make sure the battery connector is tightly plugged into the charger connector, and that the charger is plugged into the wall. Make sure power flow to the wall outlet is on.
	Battery is old and will not accept full charge.	Even with proper care, a rechargeable battery does not last forever. Average battery life is 1 to 2 years depending on vehicle use and conditions. Replace only with a replacement battery.
	Brakes are not adjusted properly	Refer to brake adjustment instructions.
Vehicle runs Sluggishly.	Driving conditions are too stressful.	Use only on solid, flat clean and dry Surfaces such as pavement or level ground.
	Tires are not properly	The tires are inflated when shipped, but

MINI ATV OWNER'S MANUAL

Inflated.		They invariably will lose some pressure Between the point of manufacturing and your purchase. Refer to tire instructions to properly inflate tires.
Vehicle is overloaded.		Make sure you do not overload the vehicle by allowing more than one rider at one time, exceeding the maximum weight limit, going up too steep a hill or towing objects behind the vehicle. If the vehicle is overheated, the temperature circuit protector will slow motor down and if the condition continues, will shut off power to the motor. Correct the driving conditions that caused the overheating, wait 5-10 minutes and then resume riding. Avoid repeatedly overheating the unit.
Sometimes the vehicle doesn't run, but other times it does.	Loose wires or connectors.	Check all wires around the motors and all connectors to make sure they are tight.
	Motor or electrical Switch damage.	Contact the authorized service center for diagnosis and repair.
Charger gets warm During use.	Normal response to Charger use.	No action required. This is normal for some Chargers and is no cause for concern. If your charger dose not get warm during use, it does not mean that it is not working properly.
Vehicle does not Stop when applying the brake.	Brakes are not adjusted properly.	Refer to brake instructions to properly adjust Brakes.
Vehicle makes loud noises or grinding sounds.	Chain is too dry.	Apply a lubricant to the chain.

MINI ATV OWNER'S MANUAL

CIRCUIT DIAGRAM



MINI ATV OWNER'S MANUAL



Please read the owner's manual before riding.



Never operate this vehicle if you are under age 12.



Never use the vehicle on public road. OFF ROAD use only.



Never ride with a passenger



Always use an approved helmet and protective gear



NEVER use with drugs or alcohol



Cold tire pressure.